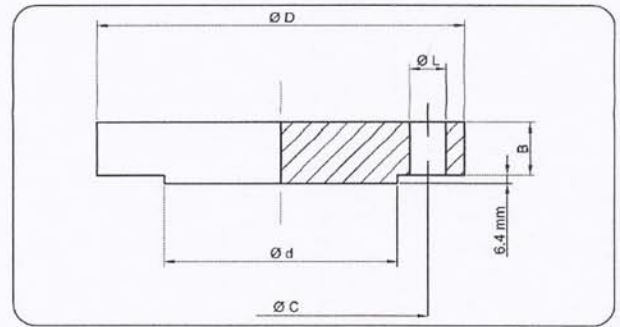




Brida Ciega DIN 2527.



Presión Nominal 6

| Paso Nominal | Brida | | | d ₃ máx. | Tornillos | | | Pesos | |
|--------------|-------|----|-----|---------------------|-----------|-------|----------------|---------|---------|
| | D | b | k | | número | rosca | d ₂ | forma B | forma T |
| 10 | 75 | 12 | 50 | | 4 | M10 | 11 | 0.38 | |
| 15 | 80 | 12 | 55 | | | | | 0.44 | |
| 20 | 90 | 14 | 65 | | | | | 0.65 | |
| 25 | 100 | 14 | 75 | | | | | 0.82 | |
| 32 | 120 | 14 | 90 | | | M12 | 14 | 1.17 | |
| 40 | 130 | 14 | 100 | | | | | 1.39 | |
| 50 | 140 | 14 | 110 | | | | | 1.62 | |
| 65 | 160 | 14 | 130 | 55 | 8 | M16 | 18 | 2.44 | 2.48 |
| 80 | 190 | 16 | 150 | 70 | | | | 3.43 | 3.49 |
| 100 | 210 | 16 | 170 | 90 | | | | 4.76 | 4.86 |
| 125 | 240 | 18 | 200 | 115 | | | | 6.11 | 6.28 |
| 150 | 265 | 18 | 225 | 140 | | | | 7.51 | 7.75 |
| 175 | 295 | 20 | 255 | 165 | | | | 10.4 | 10.7 |
| 200 | 320 | 20 | 280 | 190 | | | | 12.3 | 12.7 |
| 250 | 375 | 22 | 335 | 235 | 12 | M20 | 22 | 18.3 | 19.0 |
| 300 | 440 | 22 | 395 | 285 | | | | 25.3 | 26.3 |
| 350 | 490 | 22 | 445 | 330 | | | | 31.6 | 32.9 |
| 400 | 540 | 22 | 495 | 380 | | | | 38.4 | 40.2 |
| 500 | 645 | 24 | 600 | 475 | 16 | M20 | 22 | 60.4 | 63.2 |
| | | | | | 20 | | | | |

Presión Nominal 10

| Paso Nominal | Brida | | | d ₃ máx. | Tornillos | | | Pesos | |
|--------------|--|----|-----|---------------------|-----------|-------|----------------|---------|---------|
| | D | b | k | | número | rosca | d ₂ | forma B | forma T |
| 10 hasta 175 | Para pasos nominales de 10 hasta 175 se emplearán bridas ciegas de la presión nominal 16 | | | | | | | | |
| 200 | 340 | 24 | 295 | 190 | 8 | M20 | 22 | 16.5 | 16.9 |
| 250 | 395 | 26 | 350 | 235 | 12 | | | 24.0 | 24.7 |
| 300 | 445 | 26 | 400 | 285 | | | | 30.9 | 31.9 |
| 350 | 505 | 26 | 460 | 330 | 40.6 | | | 41.9 | |
| 400 | 565 | 26 | 515 | 380 | 16 | M24 | 26 | 49.4 | 51.9 |
| 500 | 670 | 28 | 620 | 475 | 20 | | | 75.0 | 77.8 |